

APS-30 Automatic Pay Station

The APS-30 Pay-On-Foot station is a compact design that allows for easy installation in confined areas like elevator lobbies. Our simple, user-friendly interface allows patrons to breeze through the payment process. The APS-30 is built your way; with or without coins, custom colors, custom graphics and many other options.

The APS-30 accepts coins, bills, credit/debit cards and dispenses coins and bills for change. Vouchers and stickers can be used to validate tickets. A consolidated report is automatically printed via the printer when the APS-30 is accessed by management or maintenance personnel.

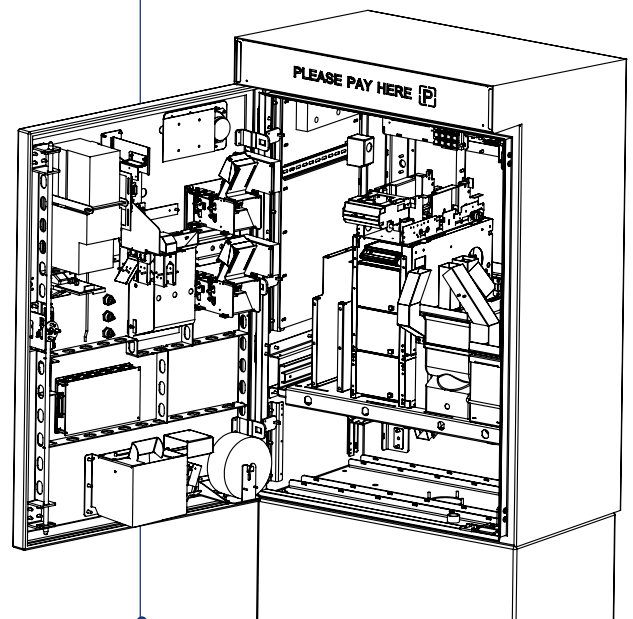
TIBA's high value products offer owners a swift ROI on parking automation projects.

Standard:

- Credit card acceptance
- Coin acceptance and dispensing utilizing recycling technology
- Cash acceptance
- Cash dispensing up to three notes
- Receipt printer
- Journal printer function
- Multi-language interface
- Dual level security via access card and mechanical lock
- Locking cash vaults
- Built in intercom
- Data line surge protection and heater
- Stainless steel construction

Optional:

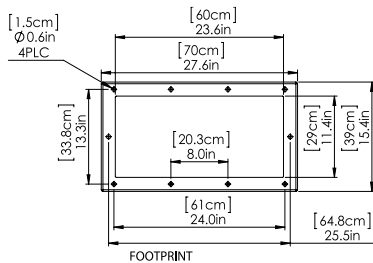
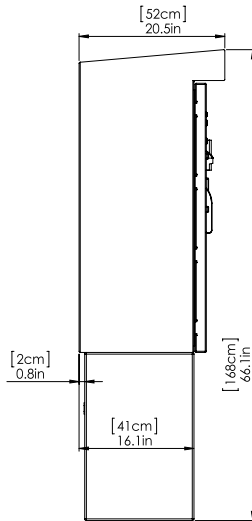
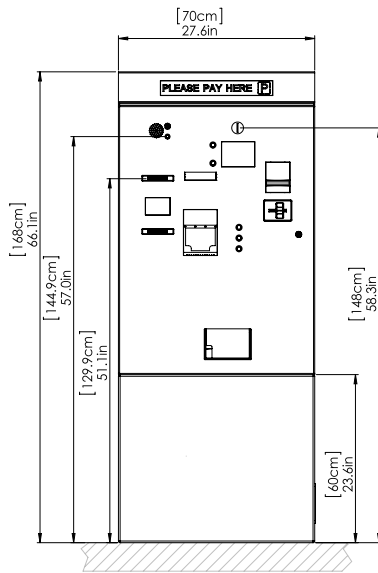
- Digital or VOIP intercom substation
- Custom graphic panels
- Monthly account payments
- Chaser ticket acceptance



ATLANTA, GEORGIA U.S.A.
5126 South Royal Atlanta Drive
Tucker, Georgia 30084
U.S.A.
770.491.7586 Phone
770.934.3384 Fax
www.tibaparking.com

APS-30

Automatic Pay Station



Features

Ticket reader	Motorized barcode scanner
Coin Acceptor	Standard
Coin Hopper	Standard: 4 hoppers with up to 800 coins capacity each
Extra Coin Storage	Standard: for overflow control
Credit Card Reader	Standard
Receipt Printer	Standard
Bill Acceptor	Standard: bills are read in all four directions
Bill Dispenser	Standard: 2 denomination bill dispensing Optional: 3 denomination bill dispensing
Display	Standard: TFT color display
Intercom Substation	Optional: Digital or VOIP intercom
Surge Protection	Standard: built-in data-line surge protector
Monthlies/Employees Account Payments	Optional: accounts can be paid at APS-30

Operation

Processor	Embedded industrial controller
Communication & network	RS-485 industrial communication or TCP/IP ethernet communication
Clock	Built-in, backed up by lithium ion battery; Keeps clock and data for up to 10 years
Off-Line Operation	Full off-line operation capability
Monitoring	Transaction and all events monitored on TMS software in real time.

Housing-Stainless Steel

Measurements	27.6" (70 cm) width; 20.5" (52 cm) depth); 66" (168 cm) height
Weight	265 lbs. (120 kg)
Color (Housing)	Standard: White RAL 9010 Optional: Custom colors available
Locks	Secured electronic and mechanical locking mechanism

Electrical

Voltage	100-240V AC 50-60 HZ
Current	9A max. with heater
Power Consumption	1080W with heater
Operating Voltage	5V, 12V, 24V DC

Environmental Conditions

Operating Temperature	-4° to 122° F (-20° to 50° C) with heater
-----------------------	---

Regulatory



Safety	<ul style="list-style-type: none"> • UL 60950-1:2007 • CAN/CSA-C22.2 No. 60950-1-07
EMC	<ul style="list-style-type: none"> • FCC Part 15, Subpart B, Class B • CE

Subject to design and functionality changes until product shipping.

