

# MP-30 Ticket Dispenser

The MP-30's modular design and intelligent engineering make it the industry's fastest and most reliable ticket issuing device. This user friendly device issues tickets and accommodates monthly cardholders with a TFT display and intercom for communication with patrons. TIBA's logical design allows for the addition of AVI, hotel room key and barcode readers without costly up-charges or additional devices in the lane.

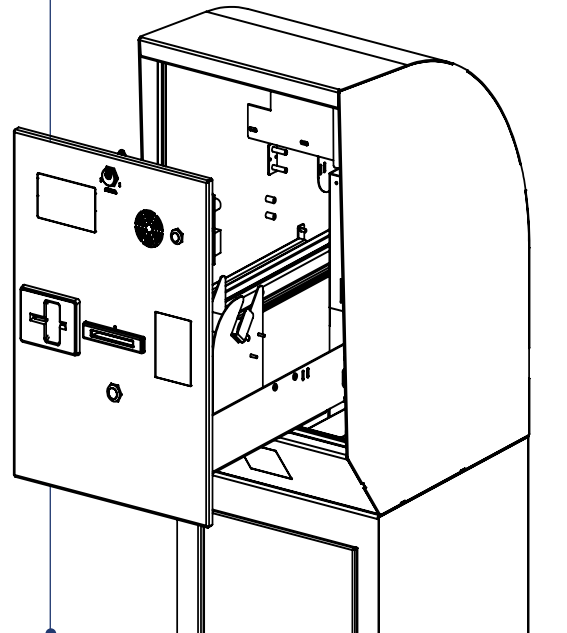
TIBA's designers succeeded to create a simple and reliable design. The unit consists of an off-the-shelf ticket printing/transport device, power supply, main board, I/O board and display. When changing ticket stock, the interior of the unit conveniently slides out for easy access. Changing the ticket paper is as easy as changing the paper in your office printer – if not easier. Additionally all TIBA products have on-board communications isolators.

## Standard:

- Heavy duty thermal printer with ticket retraction
- Proximity reader for monthly parkers
- TFT display
- Built in intercom
- Communications line surge protector
- Stainless steel construction

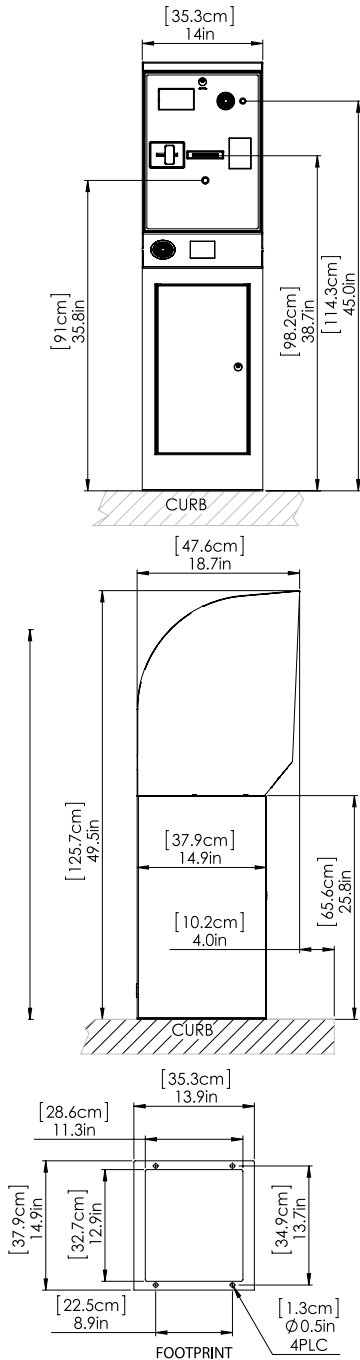
## Optional:

- Analog, digital or VOIP intercom optional
- Magnetic card reader for hotel guests, value cards and credit card users
- QR barcode scanner for reservations and pre-paid parking



**ATLANTA, GEORGIA U.S.A.**  
5126 South Royal Atlanta Drive  
Tucker, Georgia 30084  
U.S.A.  
770.491.7586 Phone  
770.934.3384 Fax  
[www.tibaparking.com](http://www.tibaparking.com)

# MP-30 Ticket Dispenser



## Features

Ticket issuing	Fast, on-the-fly barcode printing via heavy-duty thermal printer
Monthlies/Employees	Access via proximity card, magnetic stripecards, AVI, barcode or keypad
Ticket Retraction	Standard
Customer display	Standard: backlit TFT display
Intercom	Optional: analog, digital or VOIP intercom
Heater	Standard
Data-Line surge protection	Built in
Hotel or value card	Standard

## Operation

Processor	Embedded industrial controller
Communication & Network	RS-485 industrial communication or TCP/IP ethernet communication
Clock	Built in; backed up by lithium ion battery; keeps clock and data for up to 10 years
Monitoring	Transaction and all events monitored on TMS software in real time
Off-Line Operation	Full off-line mode enabled

## Housing – Stainless Steel

Measurements	14" (35.3 cm) Width; 18.7" (47.6 cm) Depth 49.5" (125 cm) Height
Weight	127 lbs. (57 kg)
Color (Housing)	Standard: White RAL 9010 Optional: Custom colors available
Locks	Device lock

## Electrical

Voltage	100-240V AC 50-60 HZ
Current	5.3A max. with heater
Power Consumption	650W with heater
Operating Voltage	24V DC

## Environment Conditions

Operating Temperature	-4° to 122° F (-20° to 50° C) with heater
IP Rating	54

## Regulatory



Safety	<ul style="list-style-type: none"> <li>• UL 60950-1:2007</li> <li>• CAN/CSA-C22.2 No. 60950-1-07</li> </ul>
EMC	<ul style="list-style-type: none"> <li>• FCC Part 15, Subpart B, Class B</li> <li>• CE EMC</li> </ul>



*Subject to design and functionality changes until product shipping.*